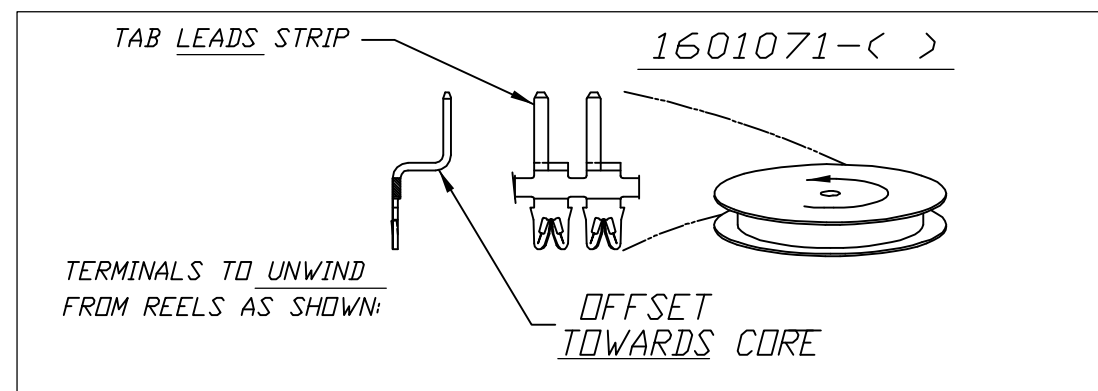
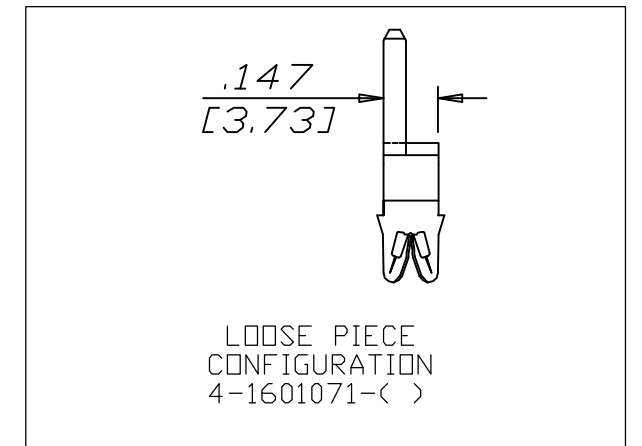
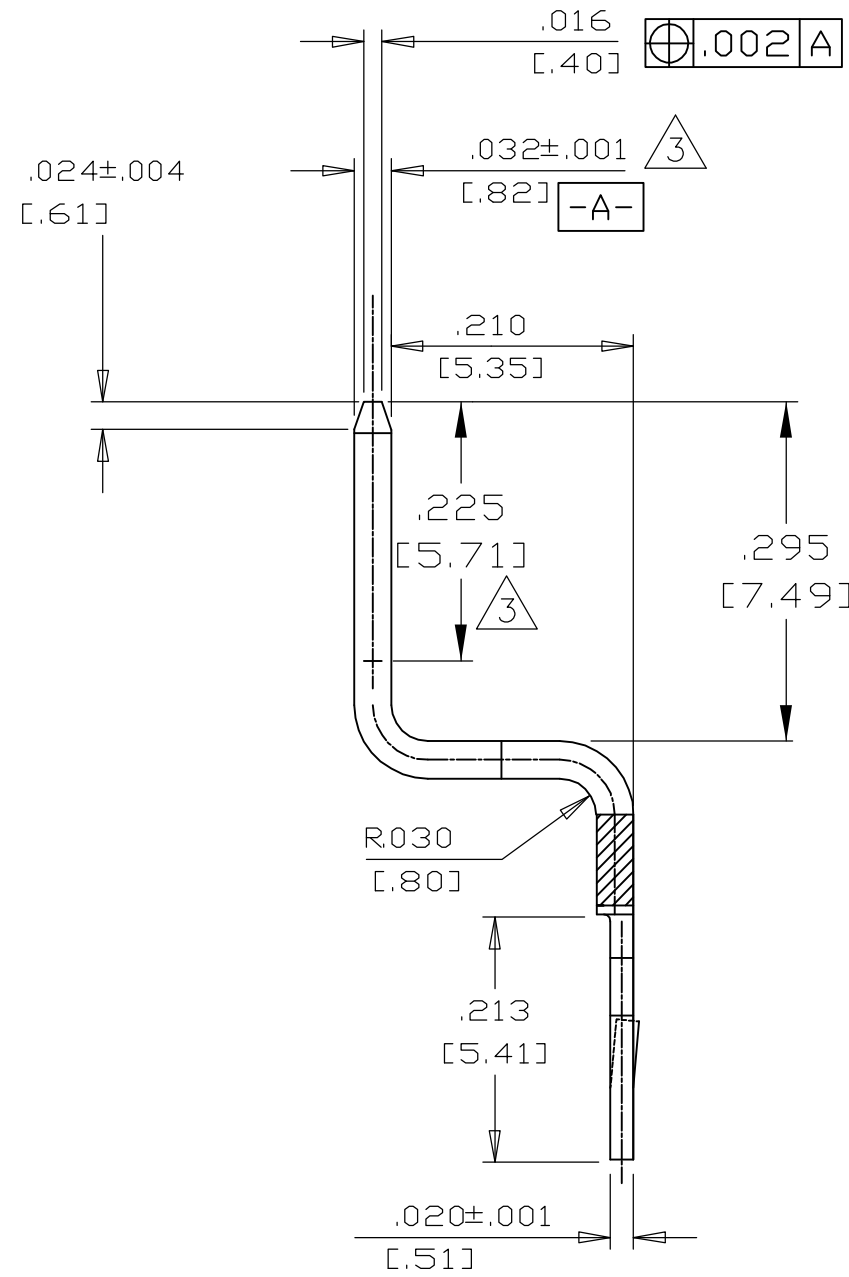
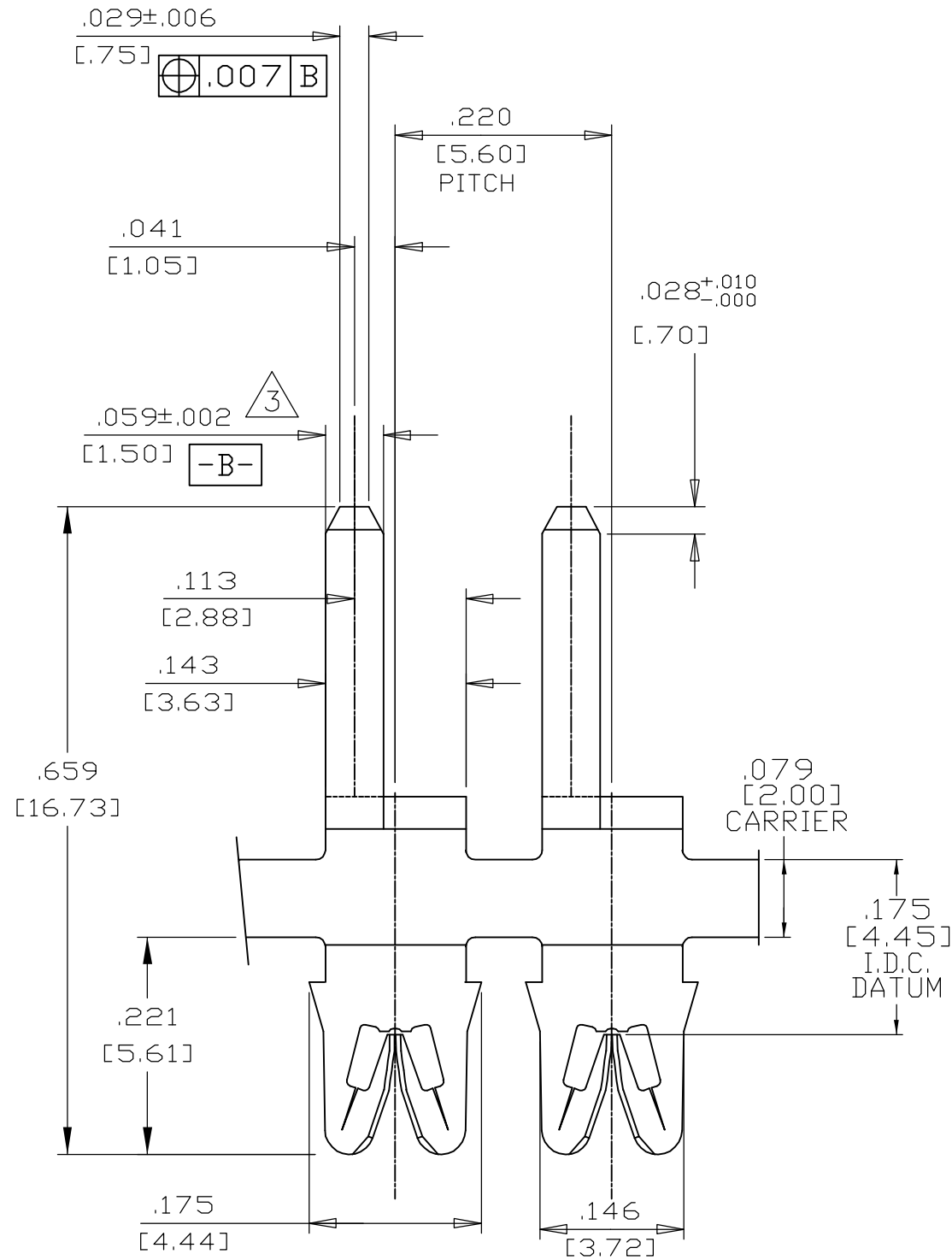
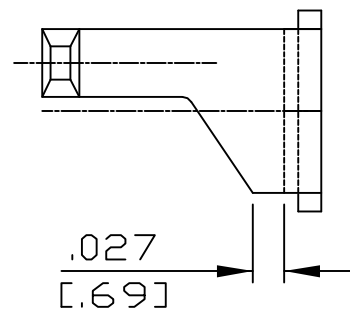


THIS DRAWING IS UNPUBLISHED. RELEASED FOR PUBLICATION
 © COPYRIGHT BY TYCO ELECTRONICS CORPORATION. ALL RIGHTS RESERVED.

LOC	DIST	REVISIONS			
P	LTR	DESCRIPTION	DATE	DWN	APVD
AF	50	A1	REVISED PER ECR-05-012061	17OCT05	MF GJ

- SPECIFICATIONS: MAGNET WIRE #34-#18 AWG
.006 [0.16mm] - .040 [1.02mm] DIA COPPER.
- POCKET RECOMMENDATION: 1601431.
- MAINTAIN THICKNESS FOR THIS LENGTH AND COIN EDGES WITH NO BURRS.



-	-	-
-	-	-
-	-	-
-	-	-
Pre-Tin Plate over Copper Underplate	131-138-014	1601071-2
-	-	-
FINISH	REFERENCE PART NUMBER	TYCO PART NUMBER
THIS DRAWING IS A CONTROLLED DOCUMENT.	tyco Tyco Electronics Corporation Electronics Harrisburg, PA 17105-3608	
DIMENSIONS: INCHES	DWN 19FEB2002 MICHAEL S. FEHER CHK 14FEB2002 KURT A. RANDOLPH APVD 14FEB2002 KURT A. RANDOLPH	NAME
0 PLC ± - 1 PLC ± - 2 PLC ± .01[0.25] 3 PLC ± .005[0.13] 4 PLC ± - ANGLES ± 2°	PRODUCT SPEC 108-2085 APPLICATION SPEC 408-8629	BENT SIAMEZE TERMINAL - -
MATERIAL: BRASS, 1/2 HARD	WEIGHT: -	RESTRICTED TO: -
SEE TABLE	SIZE A2 CAGE CODE 00779 DRAWING NO C=1601071	SCALE 1:1 SHEET 1 of 1 REV A1
CUSTOMER DRAWING		